

Pendientes cotizaciones
por instalaciones y trabajos

(Yennifer)

QUOTATION

09-Aug-19

Our Ref. 1903194

TELEFAX

Messrs.

Mr. Juan Chong

FAX : .

FROM

SASAKURA
ENGINEERING CO., LTD.
Machinery Marketing Sect. Machinery Division

C. Takahashi

C. T.

(1/1)

THANK YOU FOR YOUR INQUIRY.
WE ARE PLEASED TO OFFER OUR BEST PRICE AS FOLLOWS.

YOUR REF.

VESEL ALTAR 6

SHIPYARD / HNO. KANASASHI / 3102

GROSS WEIGHT

NO.	DESCRIPTION	P/NO.	Q'TY		UNIT PRICE	AMOUNT
	FOR FRESH WATER GENERATOR, TYPE: V-3 (SERIAL NO. V-3113)					
1.	SALINITY INDICATOR COMPLETE WITH SALINITY CELL TYPE: KE-150 (SP)		1	PC	¥95,000.-	¥95,000.-
2.	CELL POCKET FOR KE-150(SP)		1	PC	¥1,300.-	¥1,300.-
3.	PARTS FOR CELL POCKET * Nipples, Flanges & Gasket		1	SET	¥4,100.-	¥4,100.-
*	ORIGINAL SALINITY INDICATOR AND ITS SENSOR ARE NOT AVAILABLE NOW. PLEASE REPLACE TO NEW TYPE OF SALINITY INDICATOR & SENSOR AS ITEM 2. IN ADDITION, CELL POCKET ALSO NEEDS TO BE REPLACED BECAUSE ORIGINAL SENSOR AND NEW SENSOR ARE DIFFERENT. WE OFFER "CELL POCKET" AND THE MOUNTING PARTS AS ITEM 2 & 3					
	TOTAL:EX-WORKS					¥100,400.-

≈ 920 USD

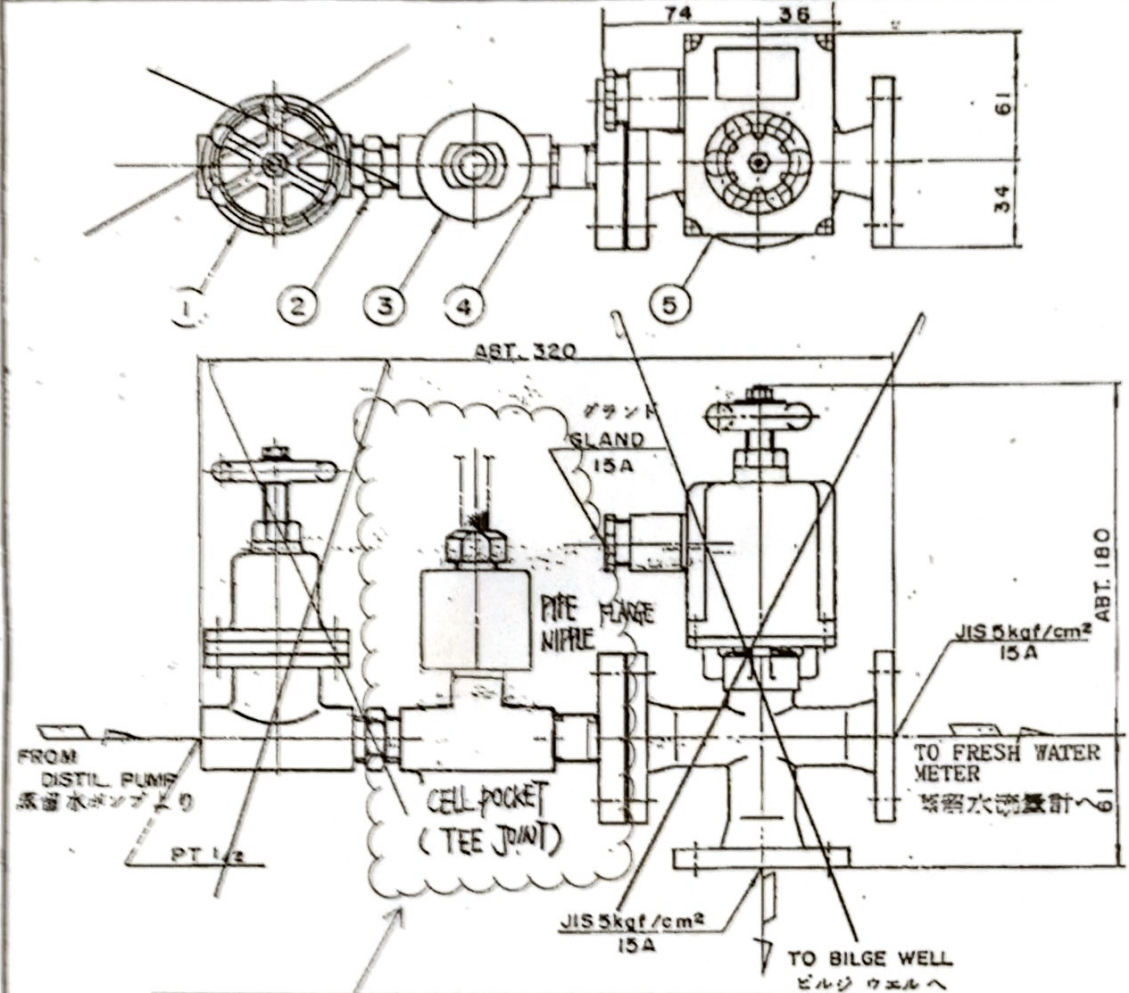
- * LEAD TIME : ABOUT ONE (1) MONTH AFTER RECEIPT OF YOUR OFFICIAL ORDER
- * PAYMENT TERMS : BY T/T REMITTANCE IN ADVANCE UPON CONCLUSION OF ORDER
- * OFFER VALIDITY : WITHIN 30 DAYS AFTER OUR QUOTATION DATE
- * WE WILL CHARGE YOU J.¥1,700.- AS DOMESTIC DELIVERY FEE IN CASE THE CONTRACT AMOUNT IS BELOW J.¥20,000.- IN CASE OF FCA BASIS.
MINIMUM ORDER CHARGE: J.¥10,000.-

SASAKURA ENGINEERING CO., LTD. MACHINERY MARKETING SECT. MACHINERY DIVISION
7-32, TAKEJIMA 4-CHOME, NISHIYODOGAWA-KU, OSAKA 555-0011, JAPAN
TEL: +81-6-6473-2134 FAX: +81-6-6473-5540



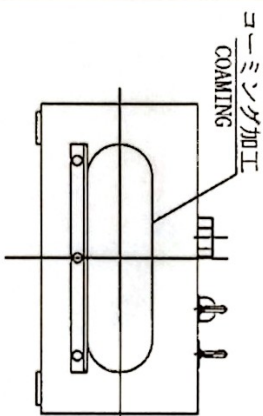
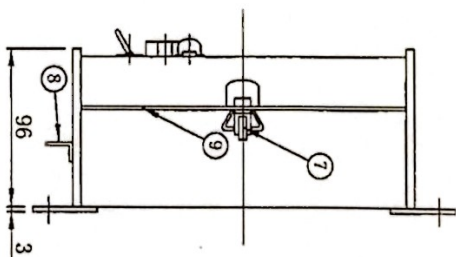
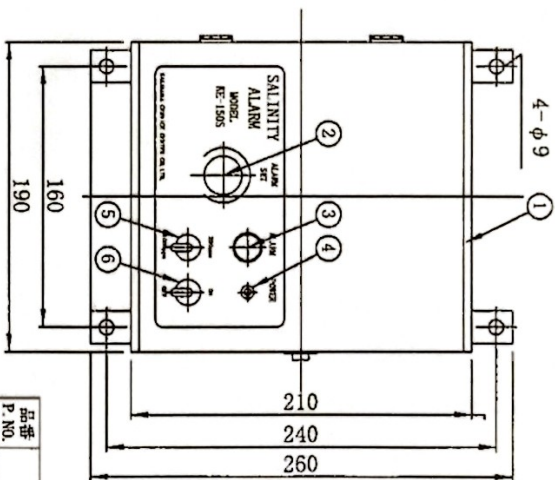
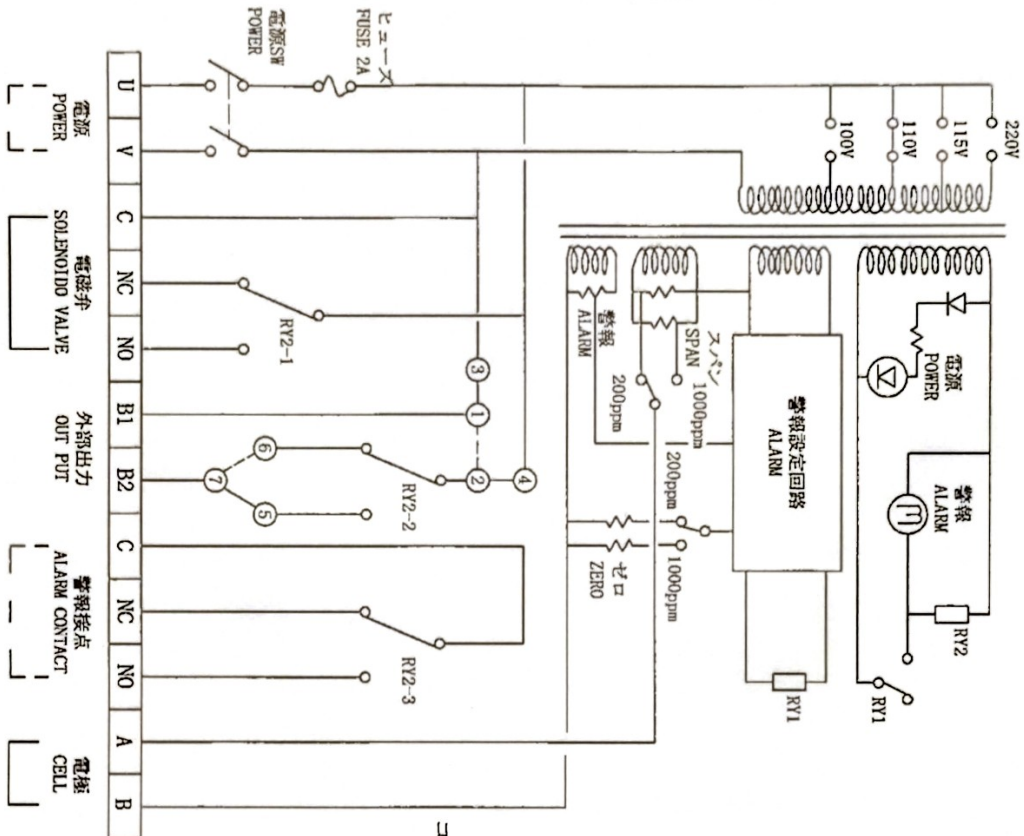
①

CATALOG NO. 01500201	REV	OASIS	MODEL V-3
MANUFACTURE SASAKURA SERVICE CENTER CO., LTD.	蒸留水ポンプ吐出管系 DISTILLATE LINE	CHIEF DATE	CHECKED APR. 26, 1982. DRAWN C.K. Sato



SUPPLY SCOPE OF CELL POCKET AND ITS PARTS

5	三方口減圧弁 3 WAY SOLENOID VALVE	BC 6	青銅 BRONZE
4	検出器用検出器(セル)ポケット CELL POCKET FOR SALINITY IND.	BC 6	青銅 BRONZE
3	検出器用検出器 CELL FOR SALINITY IND.	P.V.C.	
2	ニップル NIPPLE	BC 6	青銅 BRONZE
1	蒸留水ポンプ過圧力調整弁 PRESSURE REGULATING VALVE	BC 6	青銅 BRONZE
NO.	部品名称 NAME OF PART	JIS.	材質 MATERIAL



品番 P. NO.	品名 NAME	数量 QTY	材質 MATERIAL
1	ケース CASE	1	SPC t=1.6 (2.5GT/2)
2	警報設定ボリウム ALARM SET V. R.	1	(赤色)
3	警報表示ランプ ALARM PILOT LAMP	1	(RED)
4	電線表示ランプ POWER PILOT LAMP	1	(緑色) (GREEN)
5	切換スイッチ CHANGE OVER SWITCH	1	
6	電源スイッチ POWER SWITCH	1	
7	カバークリップ CATCH CLIPPER	1	
8	ベツト BED	1	SPC t=1.6 (2.5GT/2)
9	ガスケット GASKET	1	NBR

CUSTOMER

検査器 外形図&配線図
SALINITY INDICATOR OUT LINE
& BLOCK DIAGRAM

SASAKURA SERVICE CENTER CO., LTD

CODE

NO. REQ'D

SCALE

NO. REQ'D

DRAWN

YUZURIH

PREP'D

NOZAMA

CHECK'D

DWG

APPR'D

NO

S4946573

REV

0

KE-150 (SP)